



Fiberglass Column Anchoring Options

You have three options to anchor your fiberglass posts to your foundation. For all three methods, we supply all needed parts and hardware with your kit including wedge anchors and/or lag bolts. The three options are as follows:

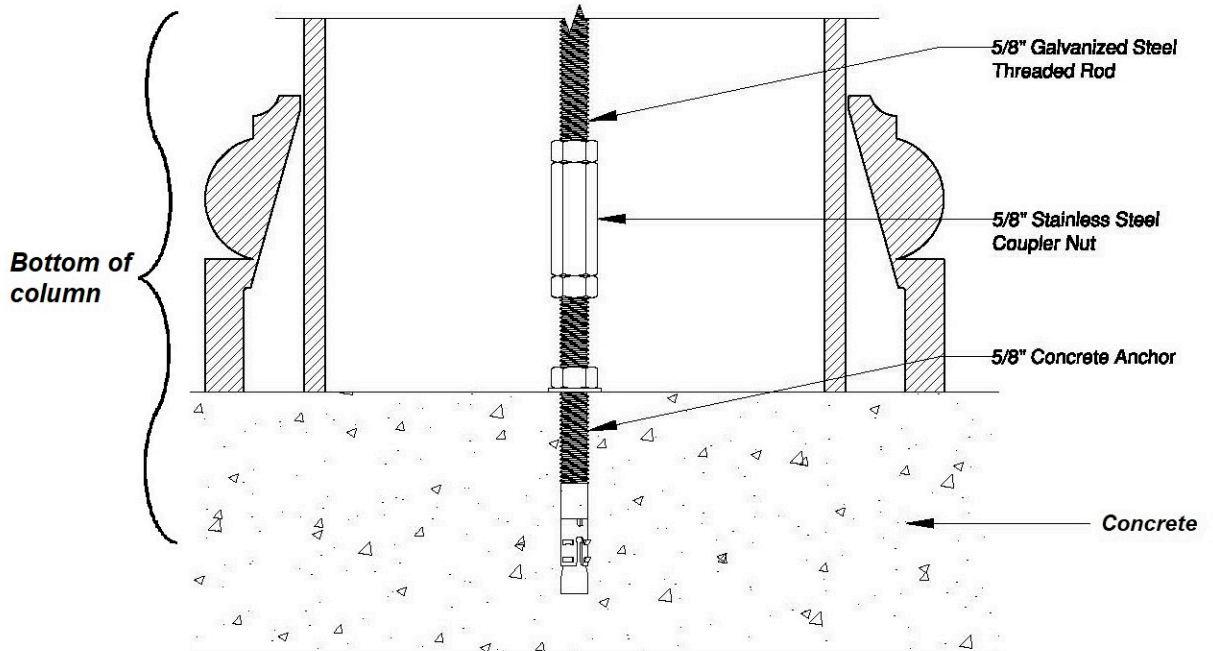
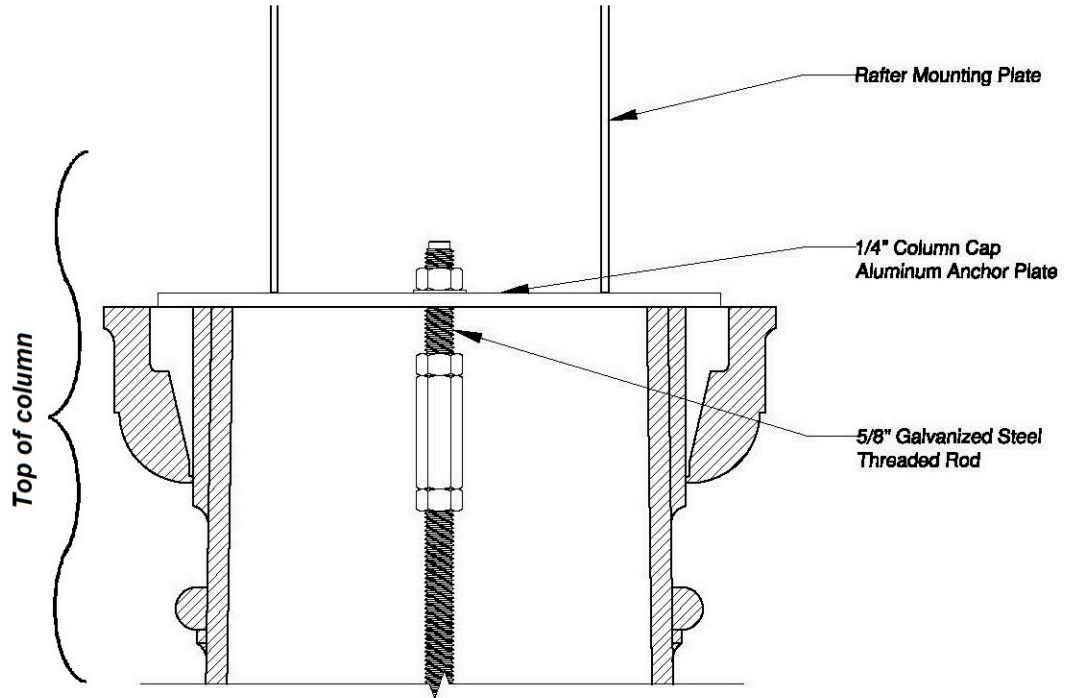
	Engineered Wind Rating	Price per post	Suggested Footing Size *	Supplied Hardware	Comments
OPTION #1:	90 mph	\$0	12" x 12" x 30"	5/8" thick threaded rod coupled to 5/8" thick wedge anchor	This is the standard method that most customers choose
OPTION #2	165 mph	\$125	24" x 24" x 24"	5/8" thick threaded rod coupled to deck/wind plate	Choose this method if you live in hurricane regions or if you are anchoring to wood or composite decking**
OPTION #3	165 mph	\$400	24" x 24" x 24"	Heavy duty tie downs (3" thick steel pole welded to a gusseted base plate)	This options is required for spans between column centers of 18'-0" or more to limit racking (side to side movement)

* Footing depth is dependent on the depth of your local frostline. In lieu of a footing, you may fasten to a concrete slab of sufficient thickness or a wooden or composite deck. ** If you are anchoring to wood or composite decking, be sure to sink the lag bolts thru the decking floorboards into the joists or blocking placed between joists.

Please call us with questions at 1 (800) 403-9259.
Thank you,
The Team at Pergola Kits USA Inc.

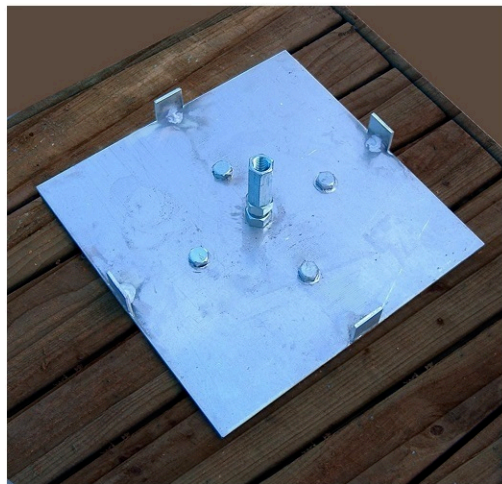
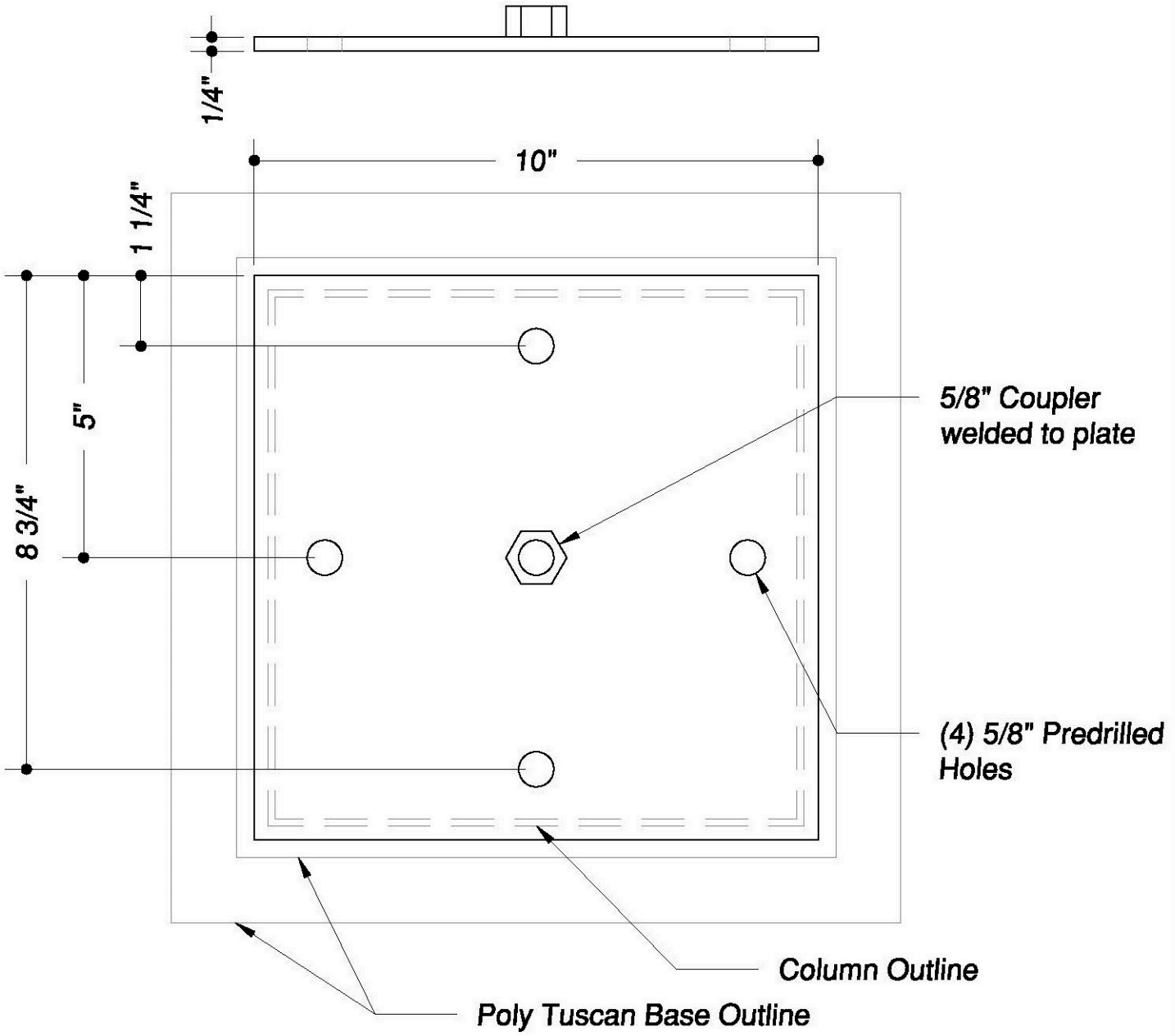
Pictures and drawings of the above three options are shown on the following three pages.

**Standard Fiberglass Column Anchoring
System for Concrete
(all hardware included with kit)
at no added cost**

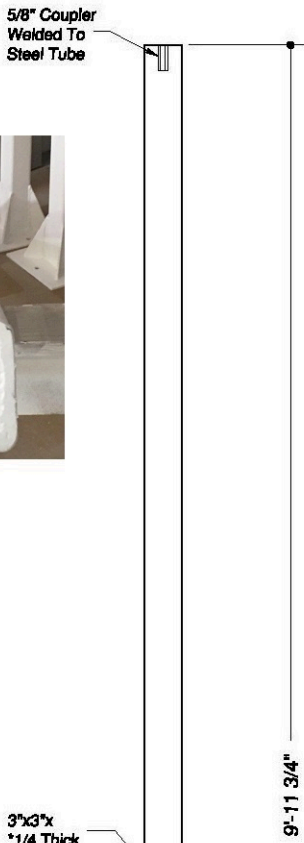
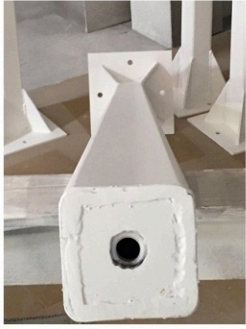


**Fiberglass Column Wind/Deck
Mounting Plate 10" Square
(\$125 per column)**

OPTION #2



Fiberglass column heavy duty tie downs for wide spans between columns (\$400 per column)



3"x3"x
1/4" Thick



Picture of the old three-sided gussets above. The new gusset design is four-sided. A drawing of this new design is shown on the right.

