



PERGOLA ASSEMBLY GUIDE



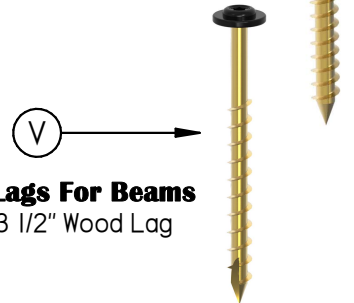
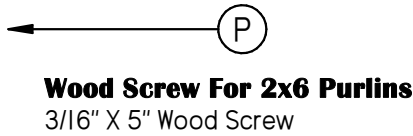
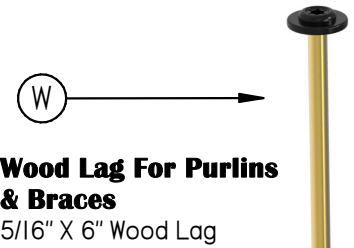
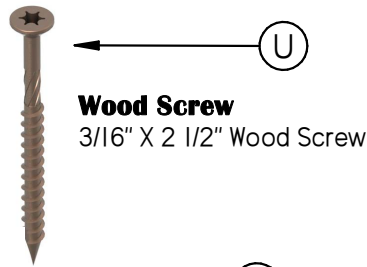
MANOR PERGOLA

THANK YOU FOR CHOOSING PERGOLA KITS USA

● Easy step-by-step instructions	Pergola Parts	Pg. 2
● Helpful Hints	Concrete / Deck / Patio Paver Application	Pg. 4
● Tools and hardware list	Beam / Purlin Installation	Pg. 6
● Easy to follow drawings	Beam Brace Installation	Pg. 8
● Warranty information	Warranty Information	Pg. 10

Visit the Manor Pergola Kit product page on our website: www.pergolakitsusa.com/manor-pergola/
Visit the Treated Pine category page on our website: www.pergolakitsusa.com/pressure-treated-pine/
Visit the Pergola Kits USA home page: www.pergolakitsusa.com/

Hardware



Tools Required

Suggested People Required For Assembly - (2)



Safety Glasses



Socket Wrench with 9/16" Socket



Level



Hammer Drill with 3/8" Concrete Drill Bit



Step Ladders - (2)



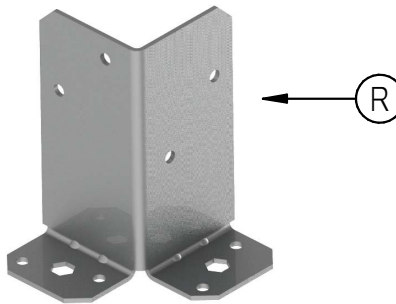
Drill



Tape Measure

ANCHOR BRACKET

Used on each post / 2pc's per post
(For Surface Applications Only)



T30 Torx Drive Bit



T25 Torx Drive Bit

Hardware Quantity List

Pergola Size	Anchor Brackets (For Surface Application Only)	Wood Lags for Anchor Brackets	Concrete Lags For Anchor Brackets (For Concrete Application Only)	Wood Screws For Shade Slats	Wood Lags For Beams	Wood Lags For 2 x 8 Purlins	Wood Lags For 2 X 6 Purlins	Wood Lags For Anchor Brackets (For Deck Application Only)
	R	S	T	U	V	W	X	Y
10 x 10	8	32	16	175	24	0	14	16
10 x 12	8	32	16	225	24	0	14	16
10 x 14	8	32	16	250	24	0	14	16
10 x 16	8	32	16	275	24	0	14	16
12 x 12	8	32	16	250	24	0	14	16
12 x 14	8	32	16	300	24	0	14	16
12 x 16	8	32	16	350	24	0	14	16
12 x 18	8	32	16	400	24	0	14	16
14 x 14	8	32	16	375	24	0	14	16
14 x 16	8	32	16	400	24	0	14	16
14 x 18	8	32	16	500	24	0	14	16
16 x 16	8	32	16	475	24	0	14	16
16 x 18	8	32	16	550	24	14	0	16
18 x 18	8	32	16	600	24	14	14	16

Required for inground applications



Footer Pad
(Required 1 Per Post)



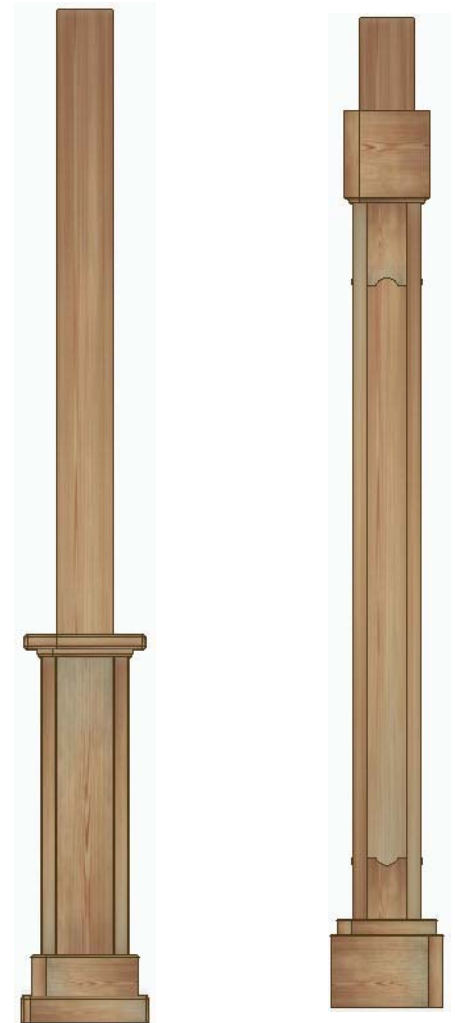
Post Hole Digger

Pergola Parts

Pergola Parts Quantity

Pergola Size	Post	Purlin	Beam	Shade Slat	Post Trim	Short Brace	Long Brace	Post Cap
10 x 10	4	6	4	27	4	4	8	4
10 x 12	4	6	4	33	4	4	8	4
10 x 14	4	6	4	39	4	4	8	4
10 x 16	4	6	4	45	4	4	8	4
12 x 12	4	8	4	33	4	4	8	4
12 x 14	4	8	4	39	4	4	8	4
12 x 16	4	8	4	43	4	4	8	4
12 x 18	4	8	4	49	4	4	8	4
14 x 14	4	9	4	37	4	4	8	4
14 x 16	4	9	4	43	4	4	8	4
14 x 18	4	9	4	49	4	4	8	4
16 x 16	4	10	4	43	4	4	8	4
16 x 18	4	10	4	49	4	4	8	4
18 x 18	4	12	4	49	4	4	8	4

Optional Post Styles



Hampton Style Post

Grandfather Style Post

Standard Style Post and Parts



Purlin Brace



Post Trim



Beam Brace (Optional)



Post Cap (Bottom)



Post Cap (Top)



Post



Beam



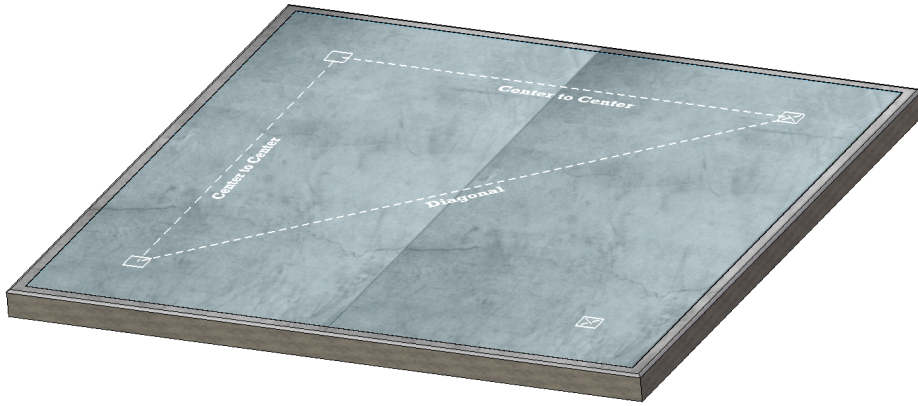
Purlin



Shade Slat

Step 1

Post Placement Layout



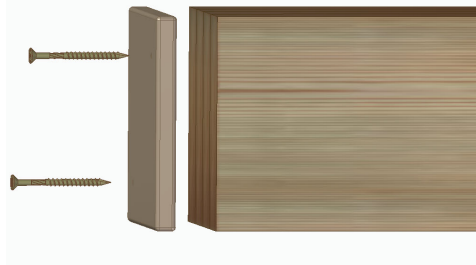
Mark each post location. Each mark will be exact center of post.

Post Layout Measurements

Pergola Size	Center to Center	Diagonal
10 x 10	82 3/4" X 82 3/4"	117"
10 x 12	82 3/4" X 106 3/4"	135 1/16"
10 x 14	82 3/4" X 130 3/4"	154 3/4"
10 x 16	82 3/4" X 154 3/4"	175 1/2"
12 x 12	106 3/4" X 106 3/4"	150 15/16"
12 x 14	106 3/4" X 130 3/4"	168 3/4"
12 x 16	106 3/4" X 154 3/4"	188"
12 x 18	106 3/4" X 178 3/4"	208 3/16"
14 x 14	130 3/4" X 130 3/4"	185"
14 x 16	130 3/4" X 154 3/4"	202 9/16"
14 x 18	130 3/4" X 178 3/4"	221 7/16"
16 x 16	154 3/4" X 154 3/4"	219"
16 x 18	154 3/4" X 178 3/4"	236 7/16"
18 x 18	178 3/4" X 178 3/4"	252 3/4"

Step 2

Bottom Post Cap Attachment



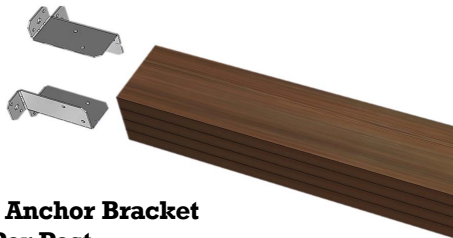
**Type (U)
2 1/2" Wood Screw
x2 Per Post**



Fasten a bottom post cap to the bottom of each post with type (U) wood screws. Ensure that the post cap is spaced evenly on all four sides of the post insert.

Post /Anchor Bracket Pre-assembly

Keep anchor bracket flush with bottom of post cap.



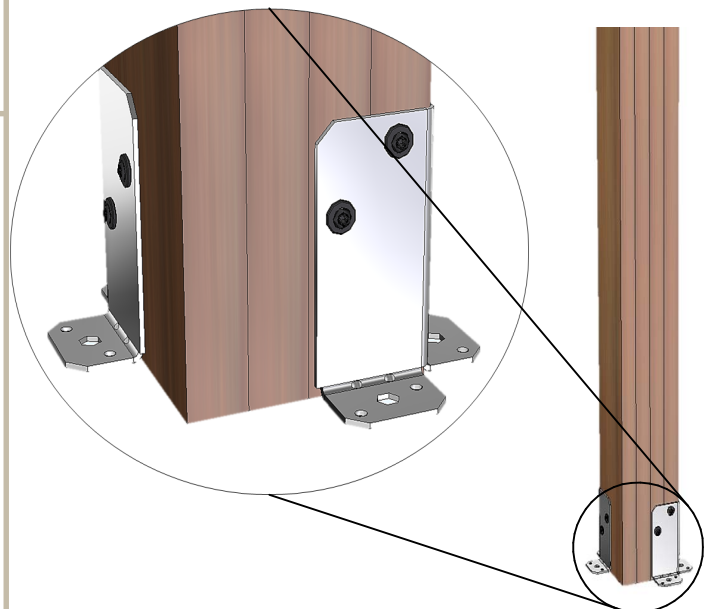
**Concrete Anchor Bracket
X2 Per Post**

Locate posts on center marks that you created in step 1. With pencil mark locations where concrete lags will be placed.

Fasten anchor brackets to bottom of post with type (S) wood lags.



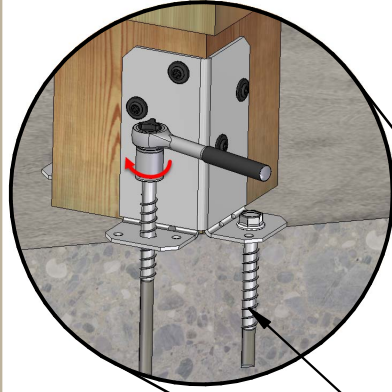
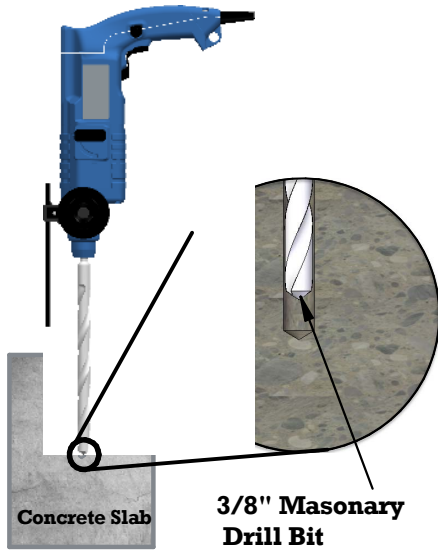
**3/16" X 1 1/2" Wood Lag
X8 Per Post**



Step 3

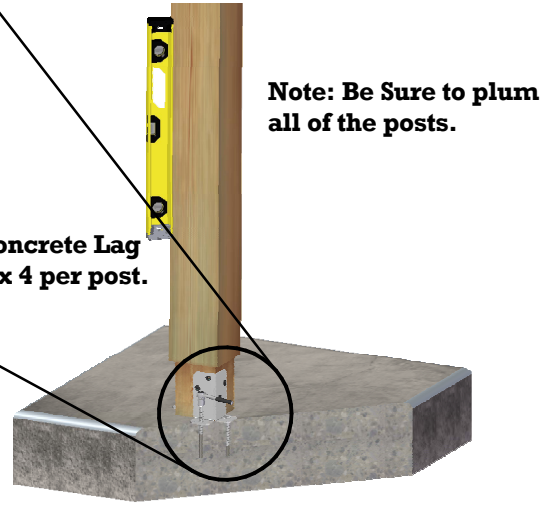
Fastening Posts To Concrete

Using a hammer drill with a 3/8" concrete bit, drill holes 1/2" deeper than the length of the type (T) lag.

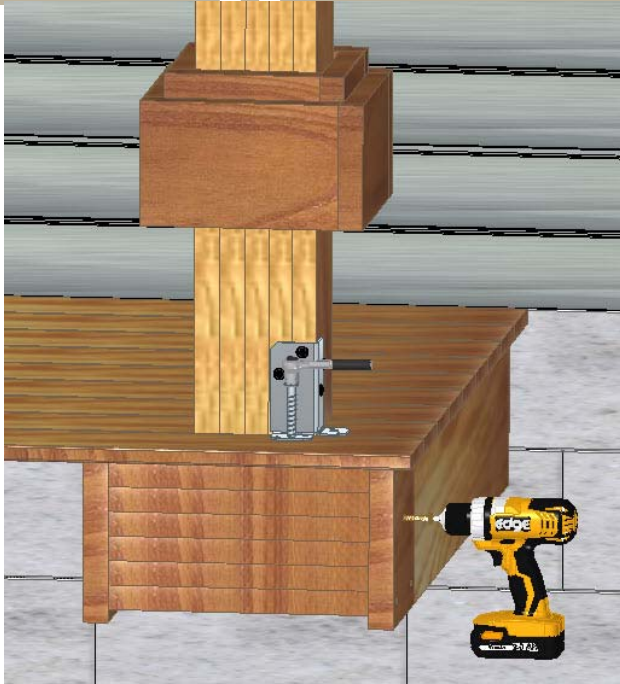


Fasten Posts to concrete slab using type (T) concrete lags.

Type (T) Concrete Lag
3/8" X 3" x 4 per post.



Deck Application

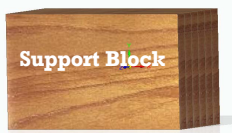


If your posts are not located so you can attach them to a floor joist, follow the below instructions.

Make a support block by cutting a generic treated board (not included) into 6 pieces that are the same length as the spacing inbetween the floor joists of your deck. Fasten the 6 pieces together using 2 1/2" deck screws (not included). You will need to make four blocks like this.

Fasten a support block inbetween the floor joists at the location of each pergola post. Push the block up against the deck boards and attach it by driving 3 1/2" deck screws (not included) through the sides of the floor joists and into the support block.

Now attach your pergola posts to the deck as shown in the example above. The lags (type S) should go through the deck boards and into the support blocks.



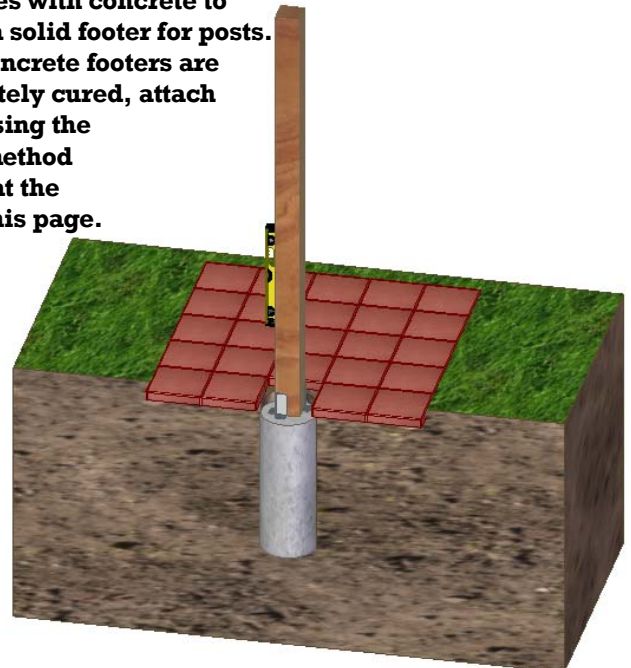
Patio Paver Application

WARNING!

Do not mount posts directly onto patio pavers. (PAVERS ARE NOT STABLE)



If installing on a paver patio, pavers should be removed at each post location. Dig holes 3 ft in depth or recommended hole depth your local building codes. Fill holes with concrete to create a solid footer for posts. After concrete footers are completely cured, attach posts using the same method shown at the top of this page.

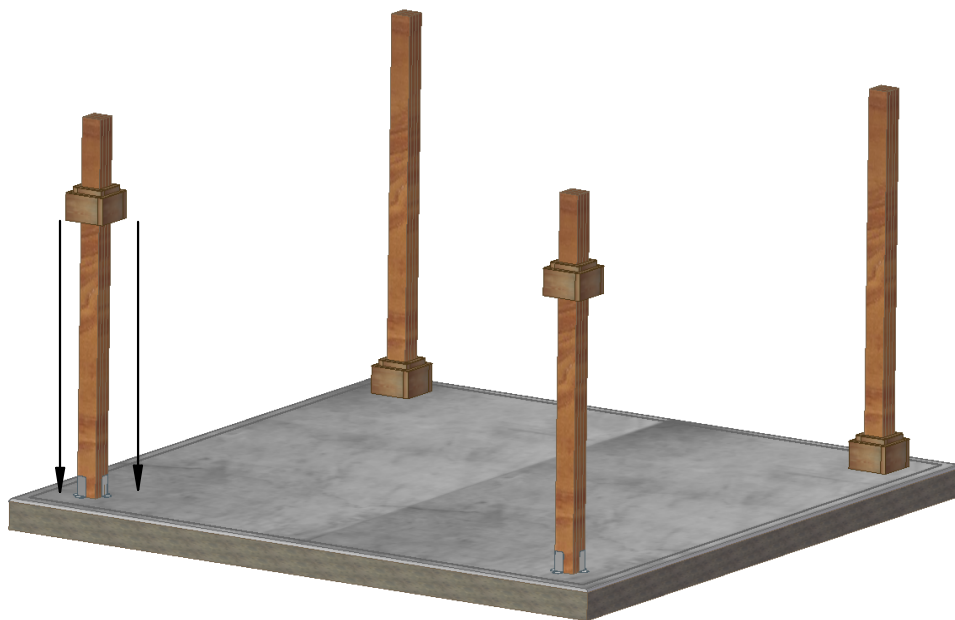


Step 4 Standard Post Style / Trim Installation

NOTE:

Make sure post trim is installed before beams are placed.

Install post trim by sliding them down over the posts. Make sure you install post trim before installing beams.

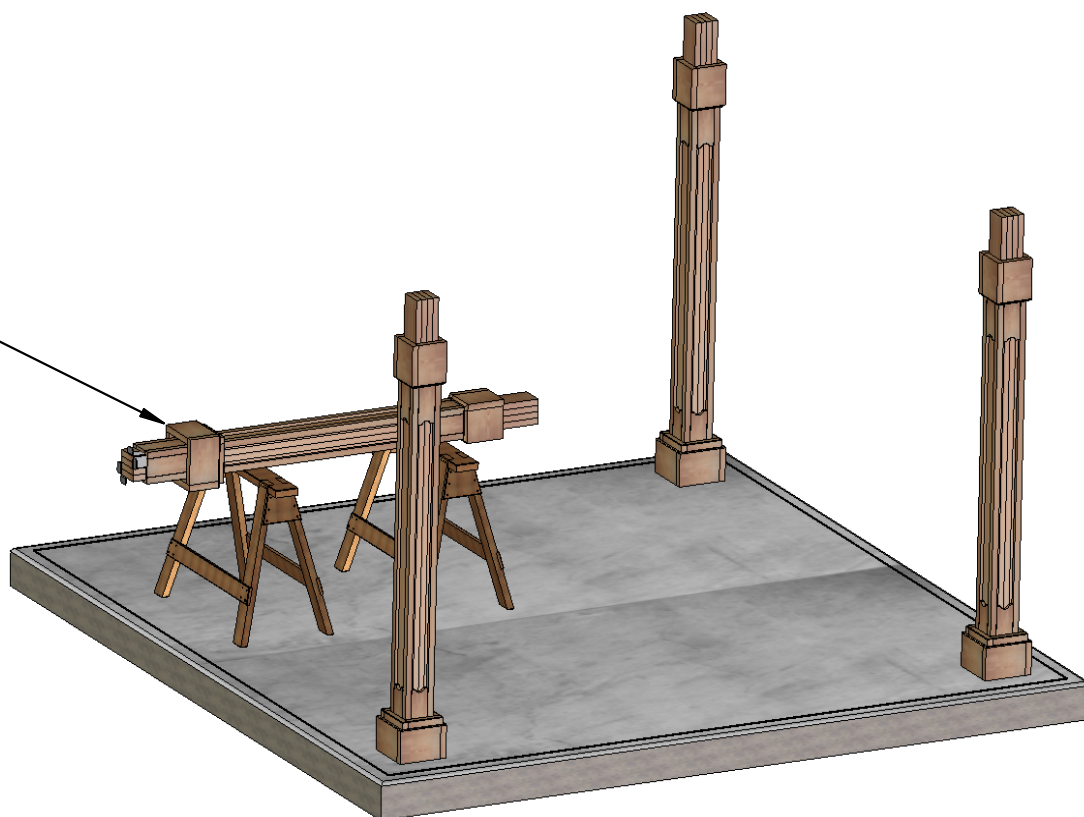


Grandfather Post Style / Trim Installation

NOTE:

If you have the grandfather style post, be sure to slide the post trim up from the bottom before anchoring the post to your base surface. For it will not fit down over the top of post, (the pre installed trim is too large for post trim ring to go down from top.)

Slide trim ring up from bottom before setting post.

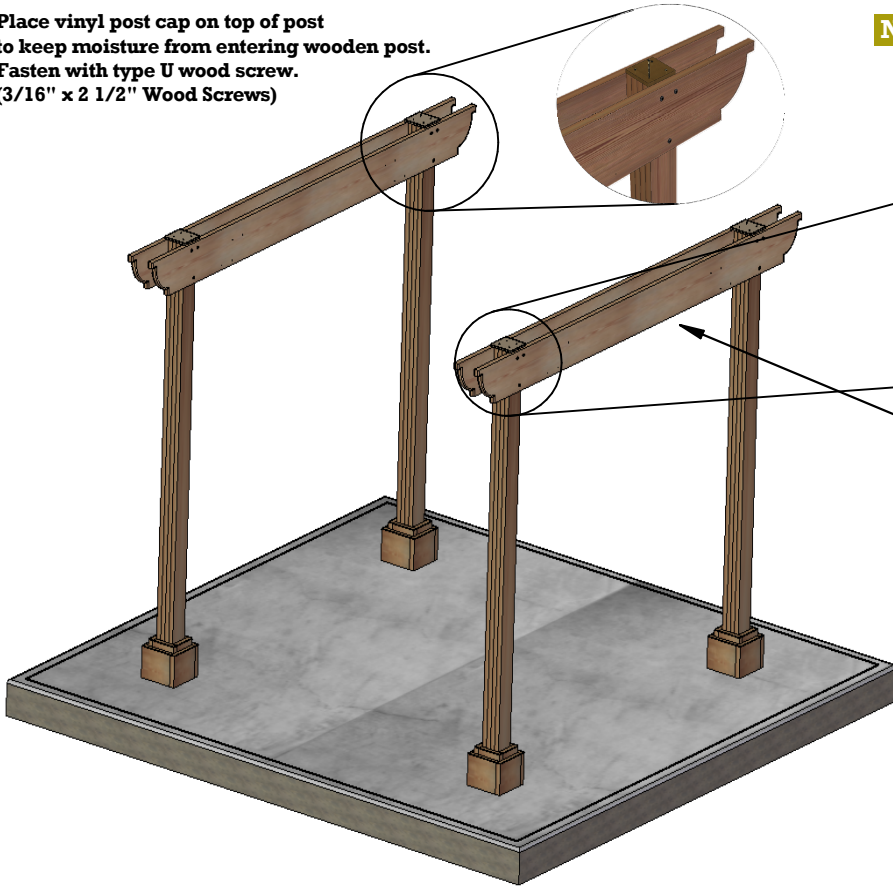


Step 5

Beam Installation

Place vinyl post cap on top of post to keep moisture from entering wooden post. Fasten with type U wood screw. (3/16" x 2 1/2" Wood Screws)

NOTE: Keep beam flush with top of post.



Set 2"X10" beam on both sides of post (and flush with top of the post). Fasten with type (V) wood lags 5/16" X 3 1/2" Wood Lag)

NOTE:

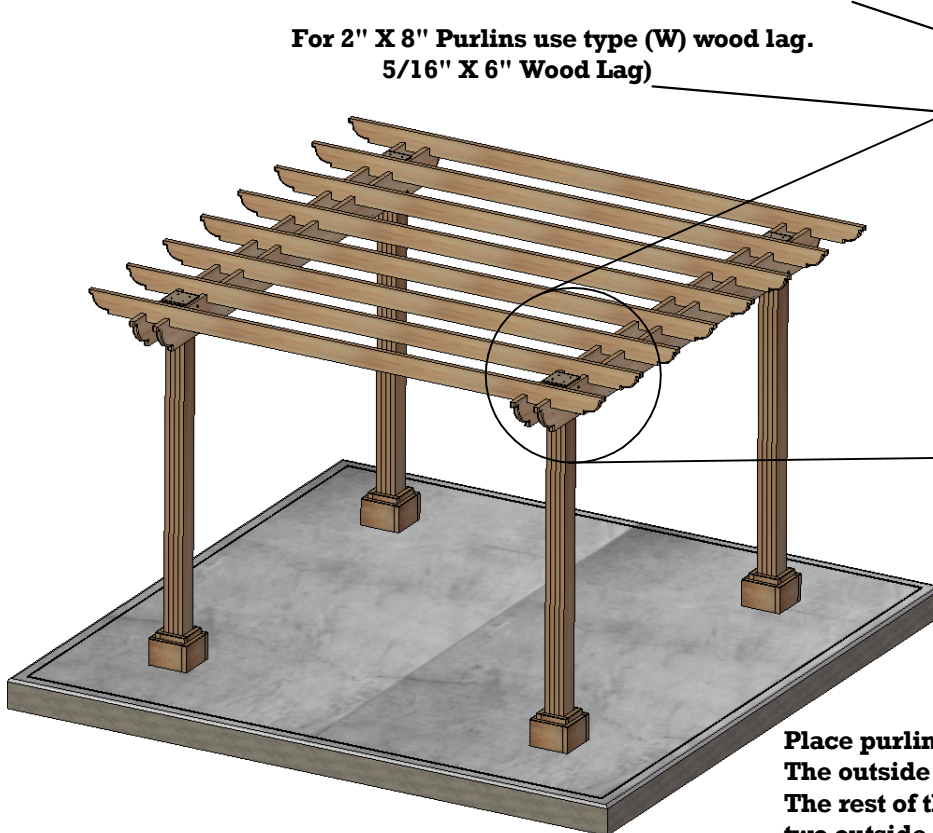
If your pergola has the 8" X 8" Posts be sure to have the rotation of the post correct. The notches on the sides should be on the side where beams will be installed.

Step 6

Purlin Installation

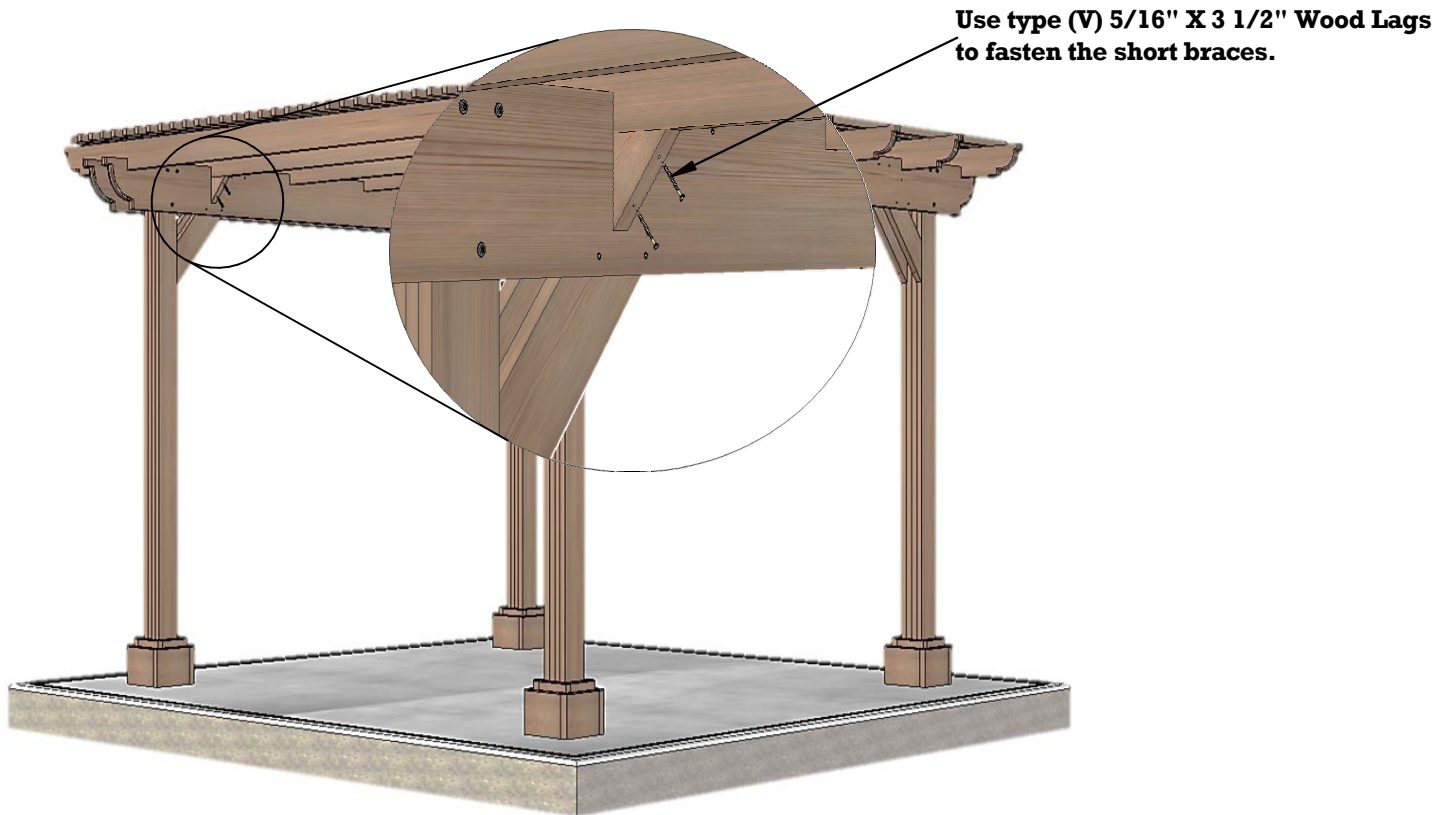
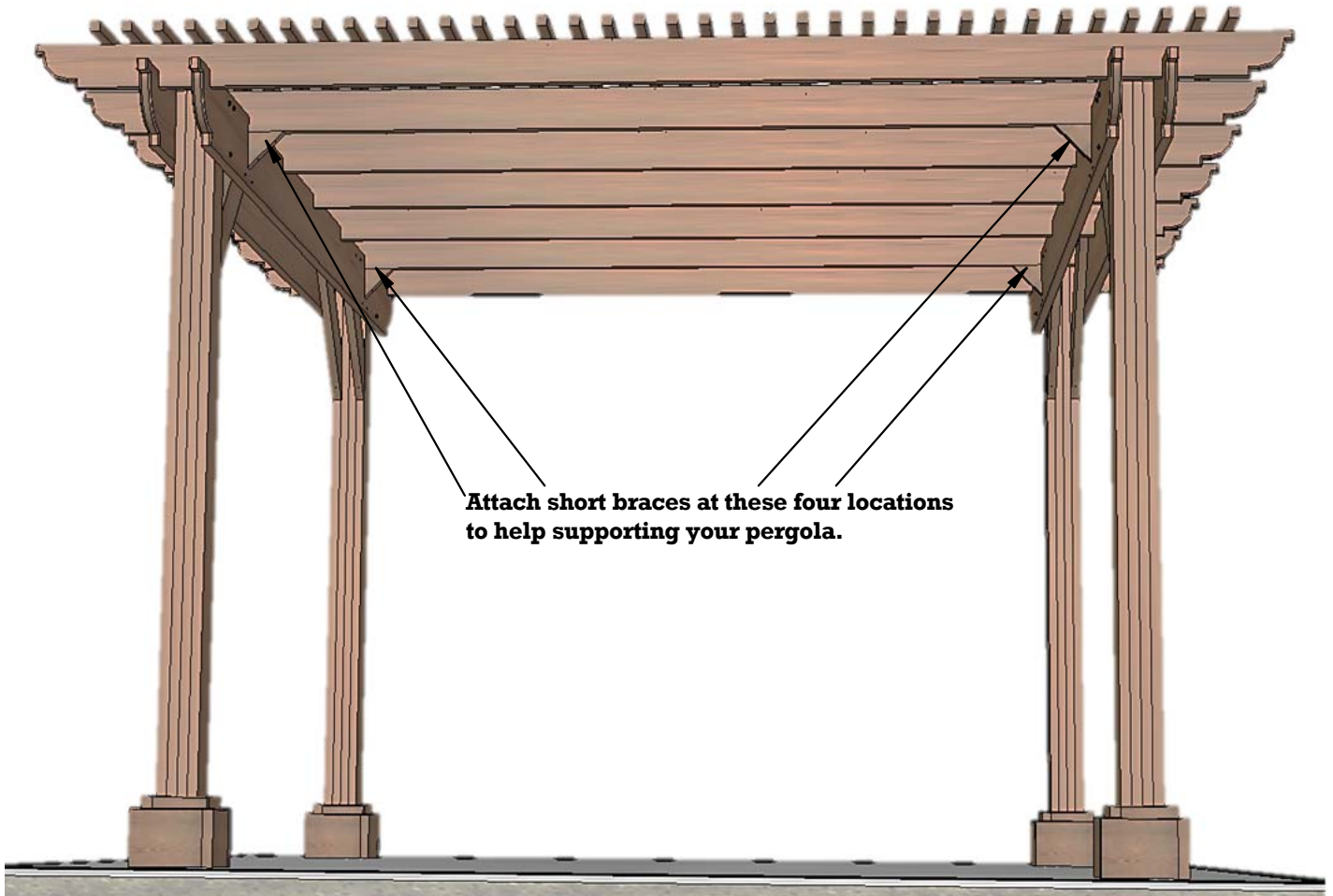
For 2" X 6" Purlins use type (P) wood screw. (3/16" X 5" Wood screw)

For 2" X 8" Purlins use type (W) wood lag. 5/16" X 6" Wood Lag)



Place purlins on top of the beam at the pre-marked locations. The outside purlins are 6" from the end of the beams. The rest of the purlins are equally spaced between the two outside purlins. (At Premarked Locations)

Purlin Brace Installation



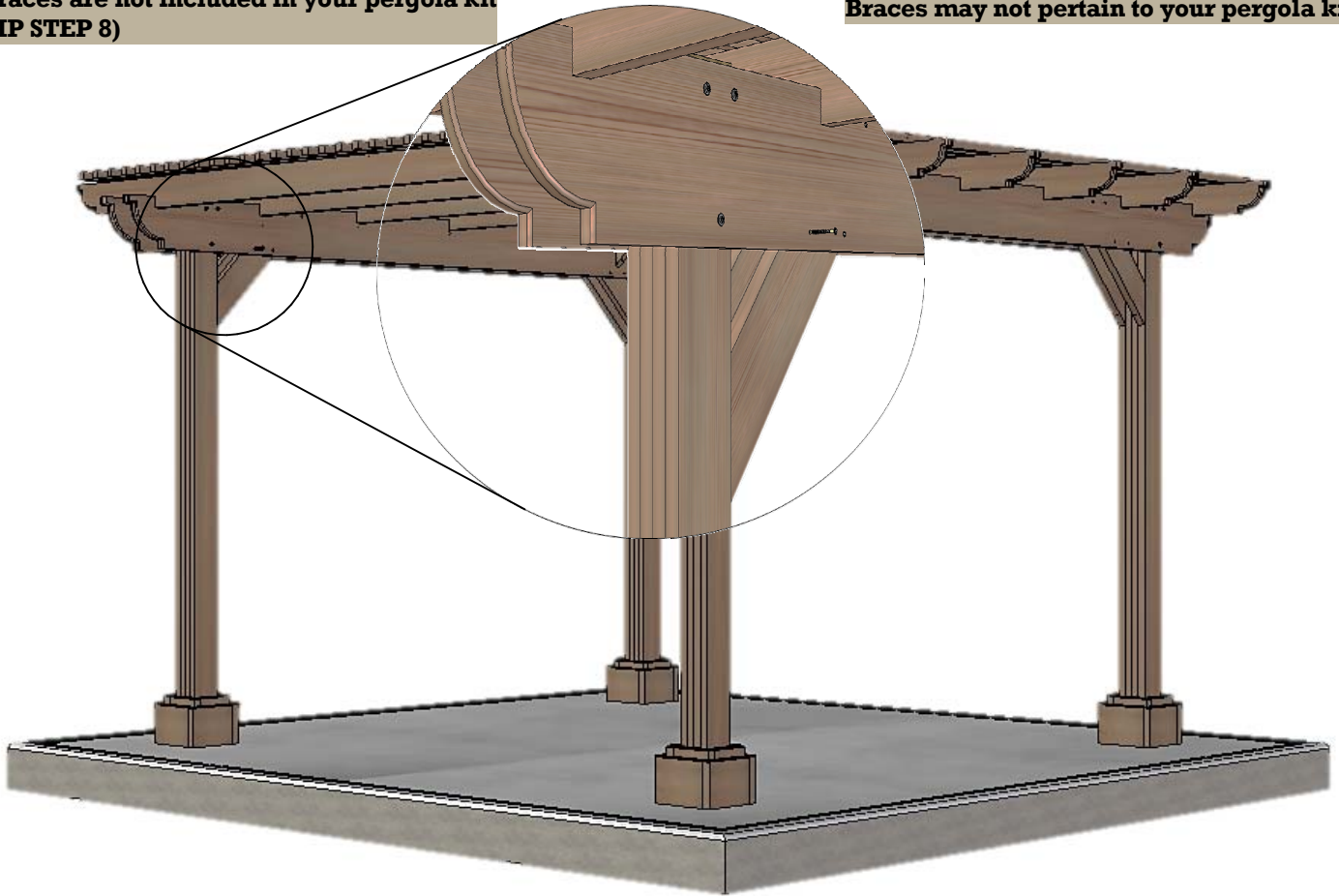
Beam Brace Installation

NOTE:

If braces are not included in your pergola kit
(SKIP STEP 8)

NOTE:

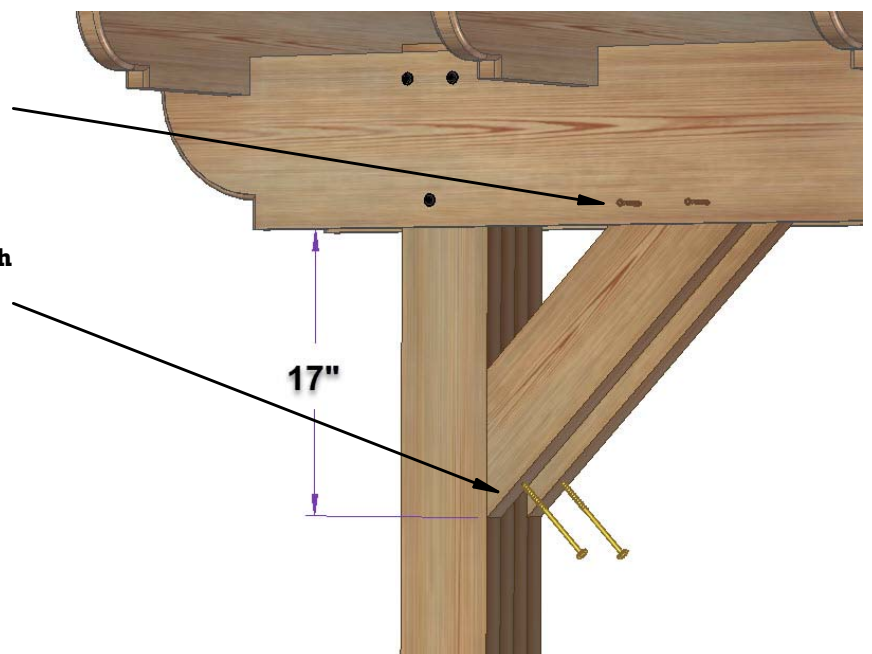
Braces may not pertain to your pergola kit

**NOTE:**

Ensure that post and beam are square
before fastening braces

Fasten each ply of the braces to the beams
with two type (U) wood screws
(3/16" X 2 1/2")
fasten through the beam into the brace.

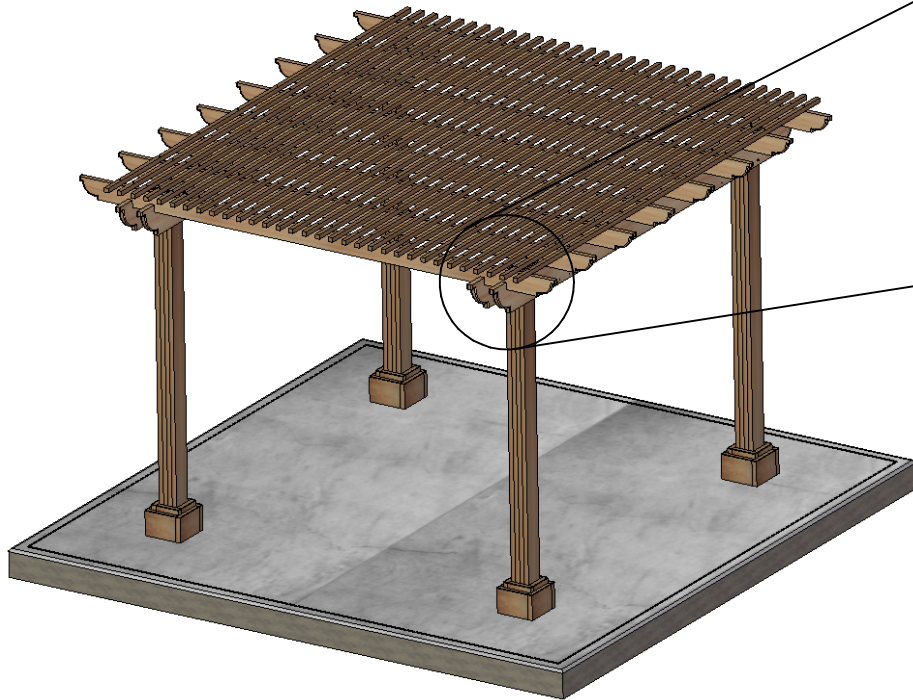
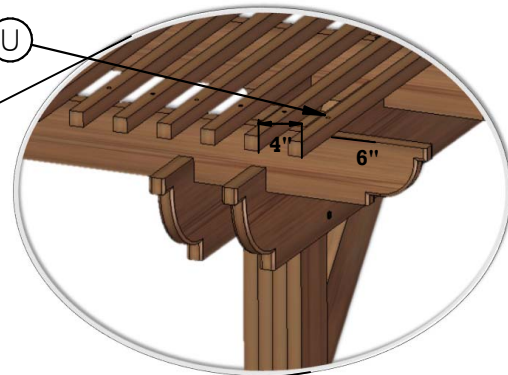
Fasten the bottom of the brace to the post with
one type (X) 5/16"x 6" wood lag per brace.



Shade Slat Installation

Use Type (X) Wood Screw
3/16" X 3" Wood Screw

U



Extend shade slat 6" past edge of perlin,
place shade slats at premarked locations.

Congratulations on your new pergola Your pergola should now be complete

10



Congratulations!
Enjoy your Newport Pergola Kit
with friends and family.

