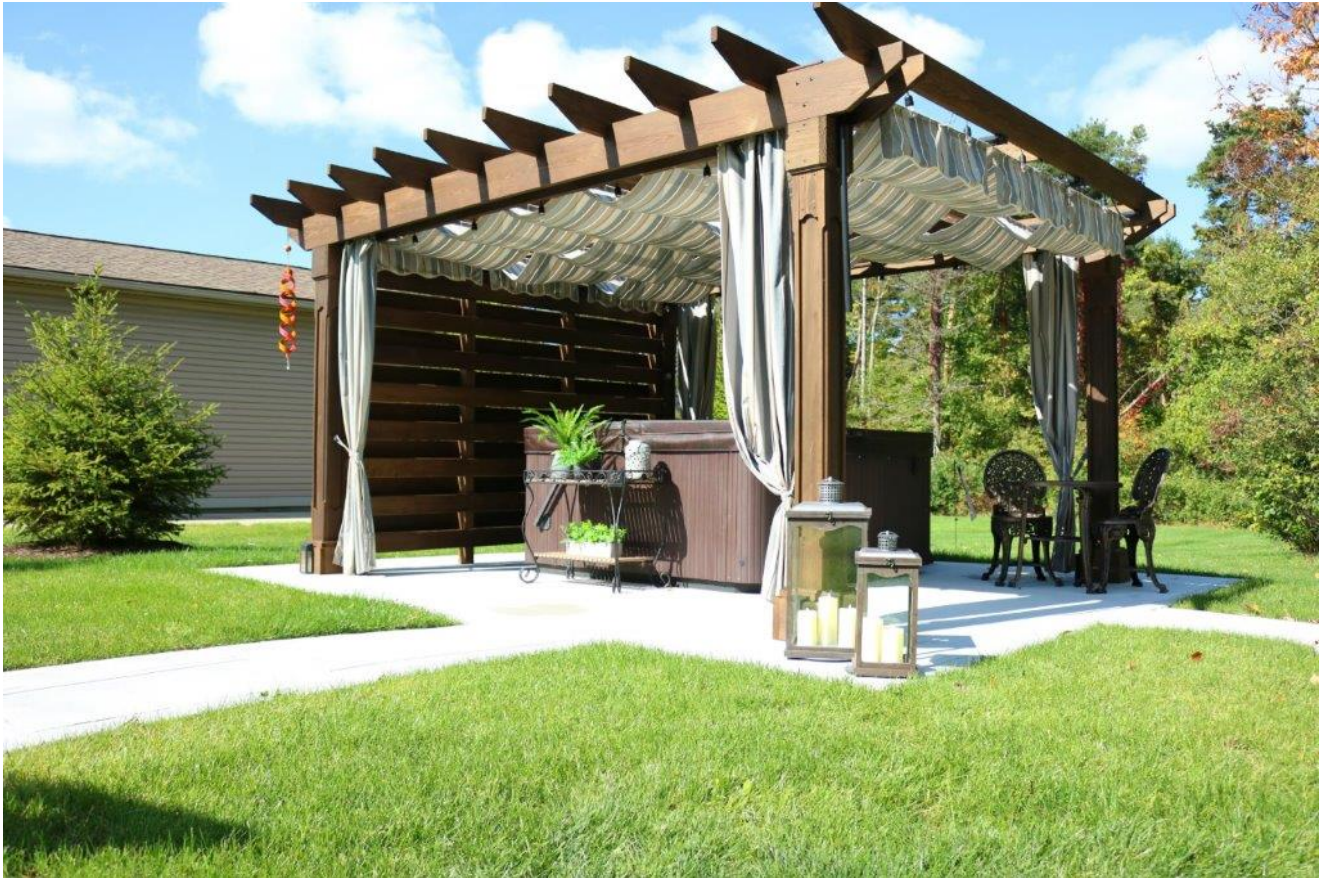




PERGOLA ASSEMBLY GUIDE



HIGHLAND PERGOLA KIT

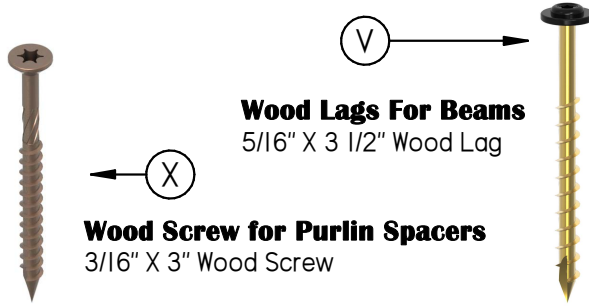
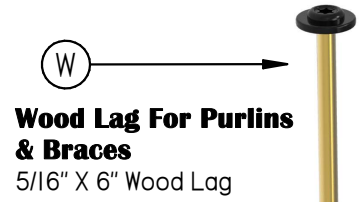
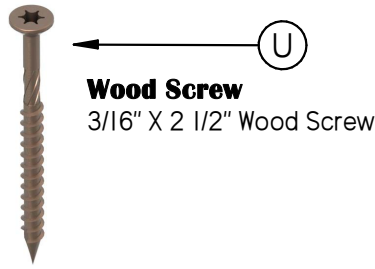
Thank you for choosing Pergola Kits USA

4 Posts

- Pergola Parts Pg. 2
- Post Placement / Bracket Pre-assembly Pg. 5
- Post Trim Installation Pg. 7
- Purlin Spacer - Purlin Brace Installation Pg. 9
- Warranty Information Pg. 11

Visit our Highland Pergola Kit web page: pergolakitsusa.com/highland-pergola-kit/
Visit our Treated Pine Category page: pergolakitsusa.com/pressure-treated-pine/
Visit our Home Page: pergolakitsusa.com/

Hardware



Tools Required

Suggested People Required For Assembly - (2)



Safety Glasses



Socket Wrench with 9/16" Socket



Level



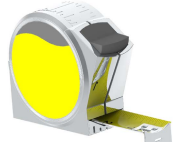
Hammer Drill with 3/8" Concrete Drill Bit



Step Ladders - (2)



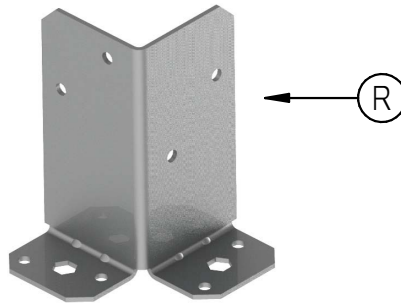
Drill



Tape Measure

ANCHOR BRACKET

Used on each post / 2pc's per post
(For Surface Applications Only)



T30 Torx Drive Bit



T25 Torx Drive Bit

Hardware Quantity List

Pergola Size	Anchor Brackets (For Surface Application Only)	Wood Lags for Anchor Brackets	Concrete Lags For Anchor Brackets (For Concrete Application Only)	Wood Lags For Anchor Brackets (For Deck Application Only)	Wood Lags For Beams	Wood lags for purlins	Wood Screws For Purlin Spacers	Wood Screws For Braces
	R	S	T	Y	V	W	X	U
10 x 10	8	32	16	16	32	24	25	24
10 x 12	8	32	16	16	32	32	35	24
10 x 14	8	32	16	16	32	36	40	24
10 x 16	8	32	16	16	32	40	50	24
12 x 12	8	32	16	16	32	32	35	24
12 x 14	8	32	16	16	32	36	40	24
12 x 16	8	32	16	16	32	40	40	24
12 x 18	8	32	16	16	32	48	50	24
14 x 14	8	32	16	16	32	36	40	24
14 x 16	8	32	16	16	32	40	40	24
14 x 18	8	32	16	16	32	48	50	24
16 x 16	8	32	16	16	32	40	90	24
16 x 18	8	32	16	16	32	48	100	24
18 x 18	8	32	16	16	32	48	110	24



Footer Pad
(Required 1 Per Post)



Post Hole Digger

Pergola Parts

Pergola Parts Quantity

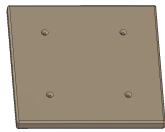
Pergola Size	Posts	Beams	Purlins	Purlin Spacers	Purlin Braces	Post Caps	Post Caps (Bottom)
10 x 10	4	4	6	5	4	4	4
10 x 12	4	4	8	7	4	4	4
10 x 14	4	4	9	8	4	4	4
10 x 16	4	4	10	9	4	4	4
12 x 12	4	4	8	7	4	4	4
12 x 14	4	4	9	8	4	4	4
12 x 16	4	4	10	9	4	4	4
12 x 18	4	4	12	11	4	4	4
14 x 14	4	4	9	8	4	4	4
14 x 16	4	4	10	9	4	4	4
14 x 18	4	4	12	11	4	4	4
16 x 16	4	4	10	18	4	4	4
16 x 18	4	4	12	22	4	4	4
18 x 18	4	4	12	22	4	4	4

Mendoza Pergola Parts

Optional Scrolled Look



Post Cap



Post Cap (Bottom)



Beam Brace (Optional)



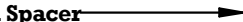
Beam



Purlin



Purlin Spacer



Purlin Brace



Post Styles

Pergola Post Quantity

Your pergola kit will include a set of 4 posts and trim rings. (Of The Style You Have Chosen)

**Wood Square Post
6"x 6"**



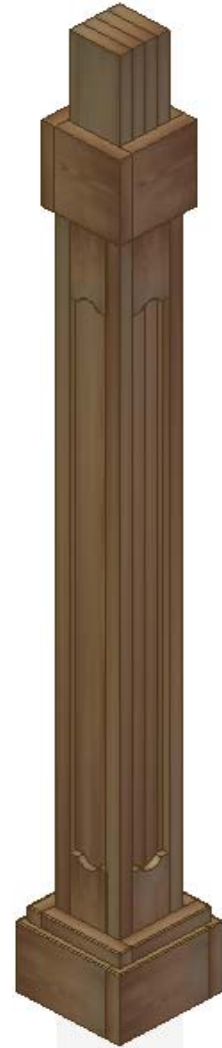
Trim Ring

**Wood Square Post
8"x 8"**



Trim Ring

Wood Grandfather Post



Trim Ring

Post Styles

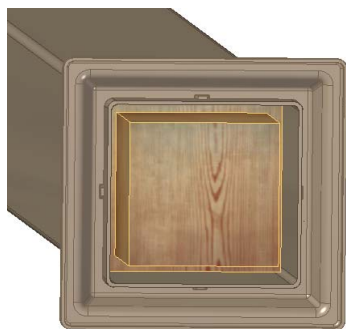
Pergola Post Quantity

Your pergola kit will include a set of 4 posts and trim rings. (Of The Style You Have Chosen)

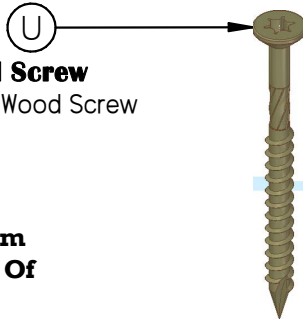
Vinyl Square Post



**Includes
1pc
Trim**



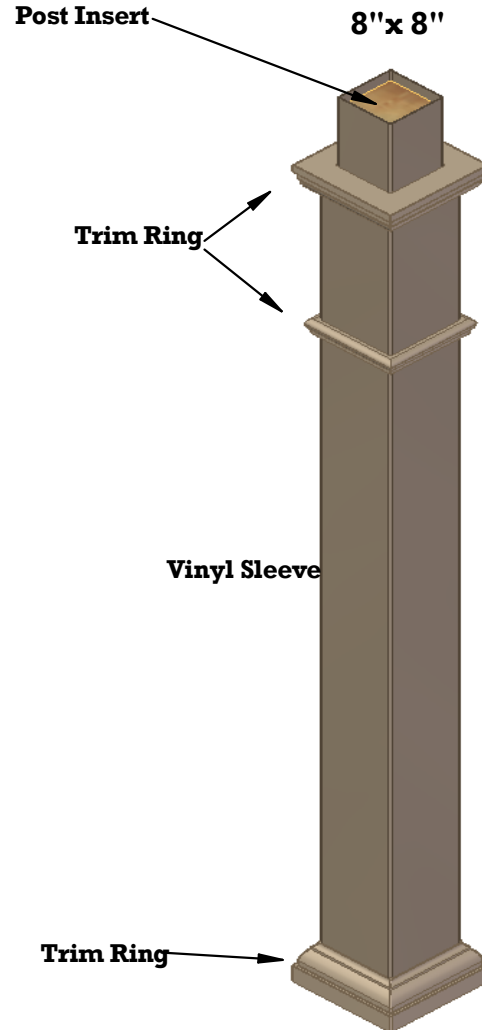
Wood Screw
2 1/2" Wood Screw



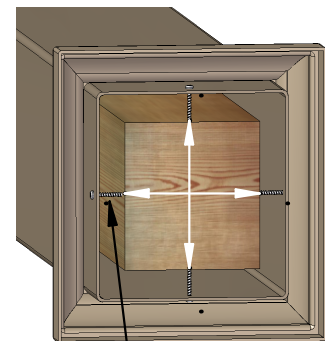
**Bottom
View Of
6"x 6"
Post**

After post is anchored slide vinyl sleeve down on surface and apply 1 screw per side, use screws to center sleeve on post insert. This will hold sleeve in place. Once vinyl sleeve is fastened slide trim ring in place.

Vinyl Square Post



**Includes
3pc
Trim Set**

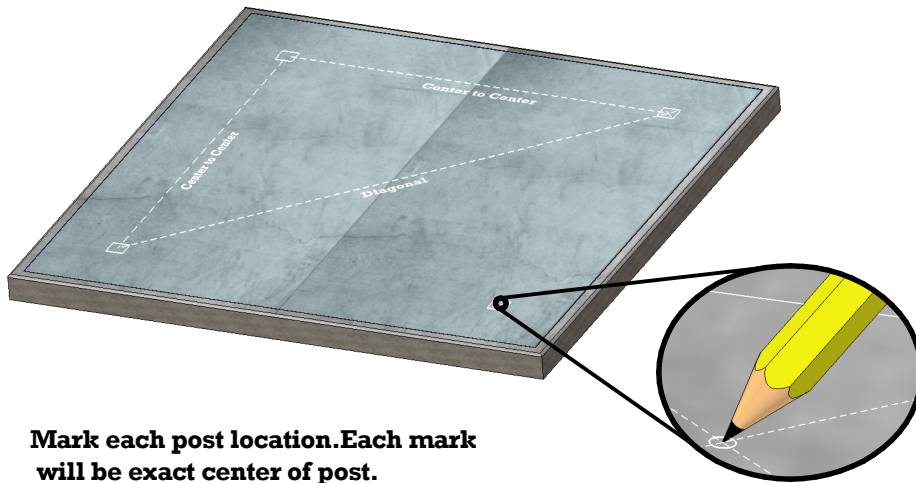


**Bottom
View Of
8"x 8"
Post**

Use type (U) 2 1/2" Wood Screw

Post Placement Layout

Step 1



Post Layout Measurements

Pergola Size	Center to Center	Diagonal
10 x 10	82 3/4" X 82 3/4"	117"
10 x 12	82 3/4" X 106 3/4"	135 1/16"
10 x 14	82 3/4" X 130 3/4"	154 3/4"
10 x 16	82 3/4" X 154 3/4"	175 1/2"
12 x 12	106 3/4" X 106 3/4"	150 15/16"
12 x 14	106 3/4" X 130 3/4"	168 3/4"
12 x 16	106 3/4" X 154 3/4"	188"
12 x 18	106 3/4" X 178 3/4"	208 3/16"
14 x 14	130 3/4" X 130 3/4"	185"
14 x 16	130 3/4" X 154 3/4"	202 9/16"
14 x 18	130 3/4" X 178 3/4"	221 7/16"
16 x 16	154 3/4" X 154 3/4"	219"
16 x 18	154 3/4" X 178 3/4"	236 7/16"
18 x 18	178 3/4" X 178 3/4"	252 3/4"

Mark each post location. Each mark will be exact center of post.

Step 2

Bottom Post Cap Attachment



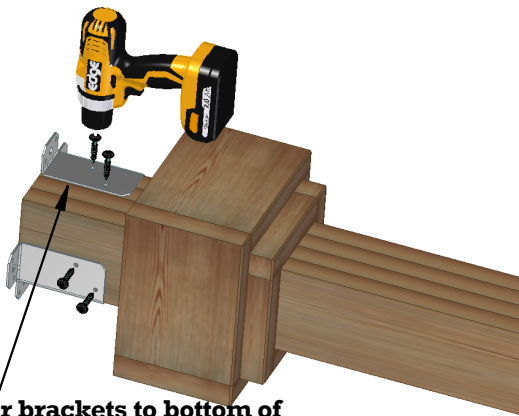
Type (U)
2 1/2" Wood Screw
x2 Per Post

Fasten a bottom post cap to the bottom of each post with type (U) wood screws. Ensure that the post cap is spaced evenly on all four sides of the post insert.

Post /Anchor Bracket Pre-assembly

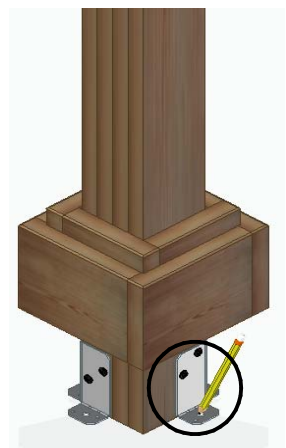
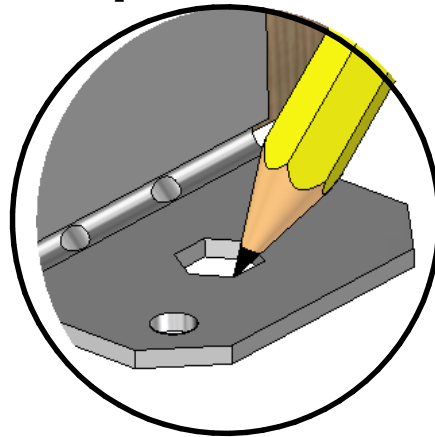
Wood Post Application

Part R-Concrete Anchor Bracket
X2 Per Post



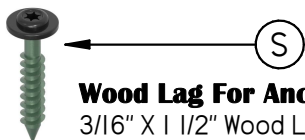
Fasten anchor brackets to bottom of post with type (S) wood lags.

Locate posts on center marks that you created in step 1. With pencil mark locations where concrete lags will be placed.



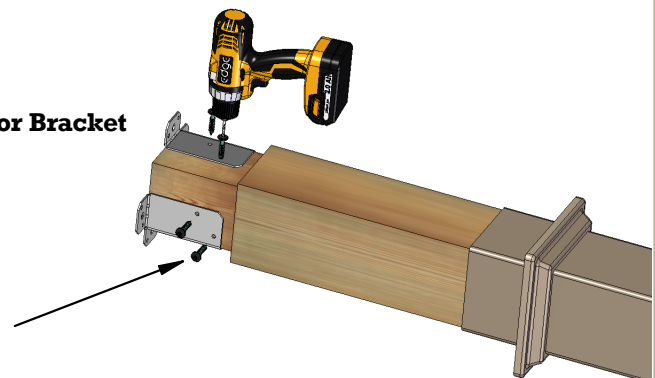
Vinyl Post Application

Part (R)-Concrete Anchor Bracket
X2 Per Post



Wood Lag For Anchor Bracket
3/16" X 1 1/2" Wood Lag
(For Surface Applications Only)

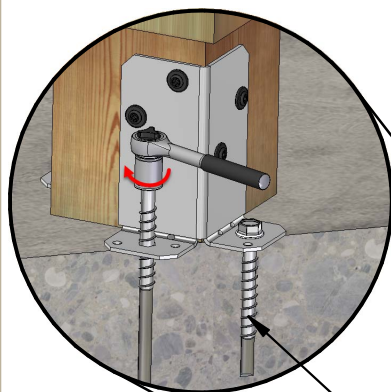
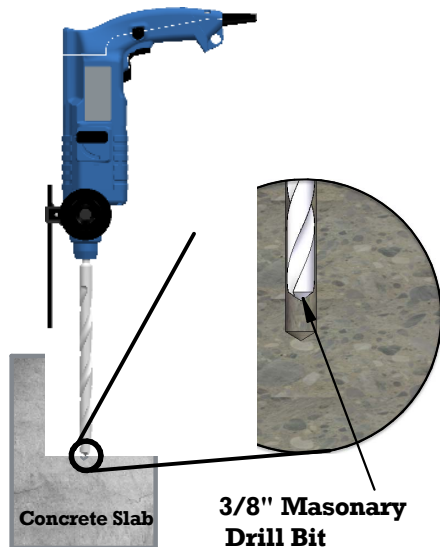
Fasten anchor brackets to bottom of post with type (S) wood lags.



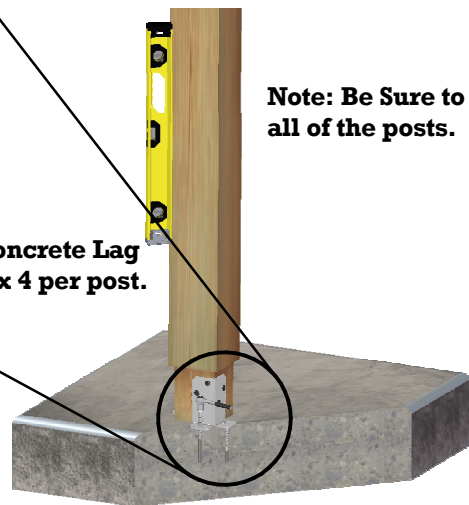
Step 3

Fastening Posts To Concrete

Using a hammer drill with a 3/8" concrete bit, drill holes 1/2" deeper than the length of the type (T) lag.

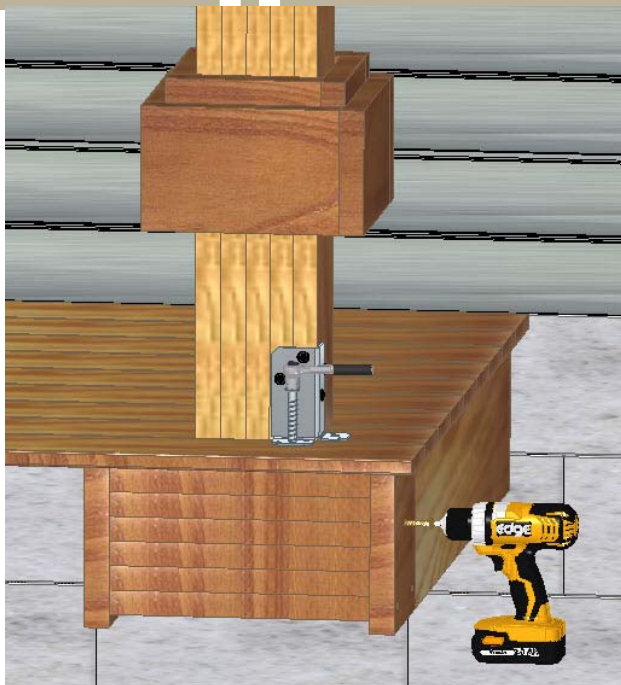


Fasten Posts to concrete slab using type (T) concrete lags.



Type (T) Concrete Lag
3/8" X 3" x 4 per post.

Deck Application



If your posts are not located so you can attach them to a floor joist, follow the below instructions.

Make a support block by cutting a generic treated board (not included) into 6 pieces that are the same length as the spacing inbetween the floor joists of your deck. Fasten the 6 pieces together using 2 1/2" deck screws (not included). You will need to make four blocks like this.

Fasten a support block inbetween the floor joists at the location of each pergola post. Push the block up against the deck boards and attach it by driving 3 1/2" deck screws (not included) through the sides of the floor joists and into the support block.

Now attach your pergola posts to the deck as shown in the example above. The lags (type S) should go through the deck boards and into the support blocks.



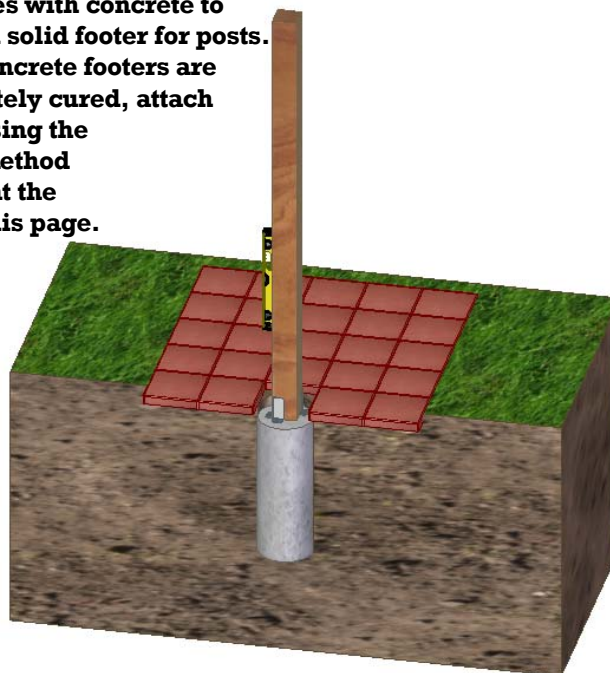
Patio Paver Application

WARNING!

Do not mount posts directly onto patio pavers. (PAVERS ARE NOT STABLE)



If installing on a paver patio, pavers should be removed at each post location. Dig holes 3 ft in depth or recommended hole depth your local building codes. Fill holes with concrete to create a solid footer for posts. After concrete footers are completely cured, attach posts using the same method shown at the top of this page.

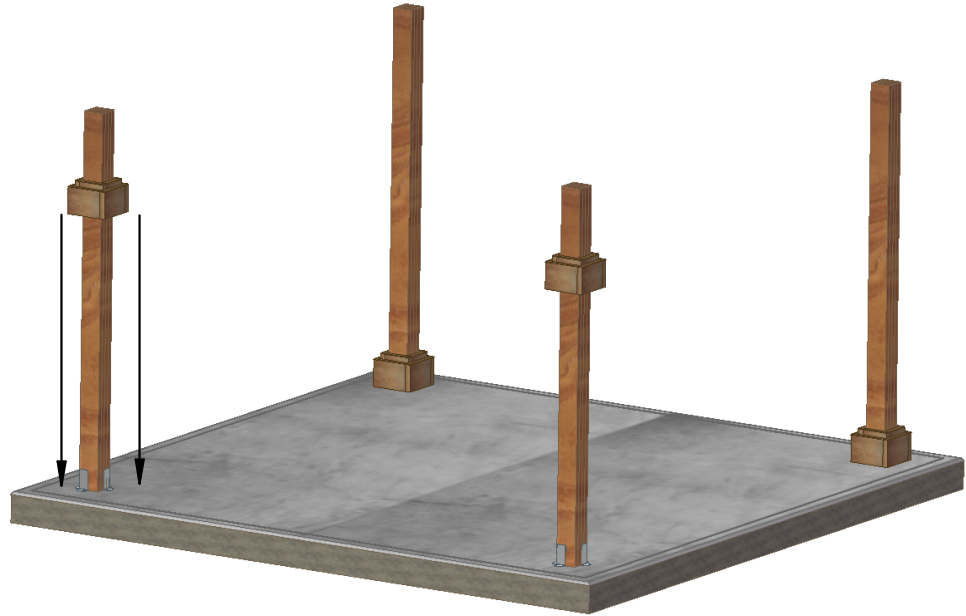


Step 4 Standard Post Style / Trim Installation

NOTE:

Make sure post trim is installed before beams are placed.

Install post trim by sliding them down over the posts. Make sure you install post trim before installing beams.

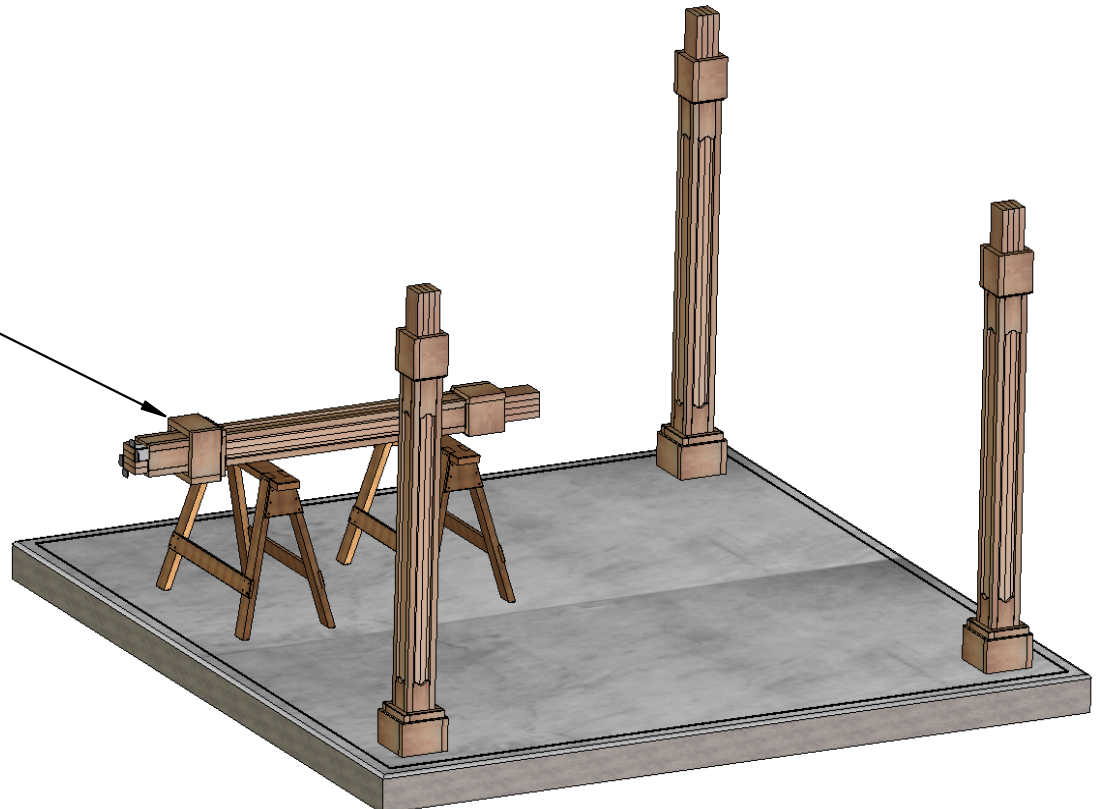


Grandfather Post Style / Trim Installation

NOTE:

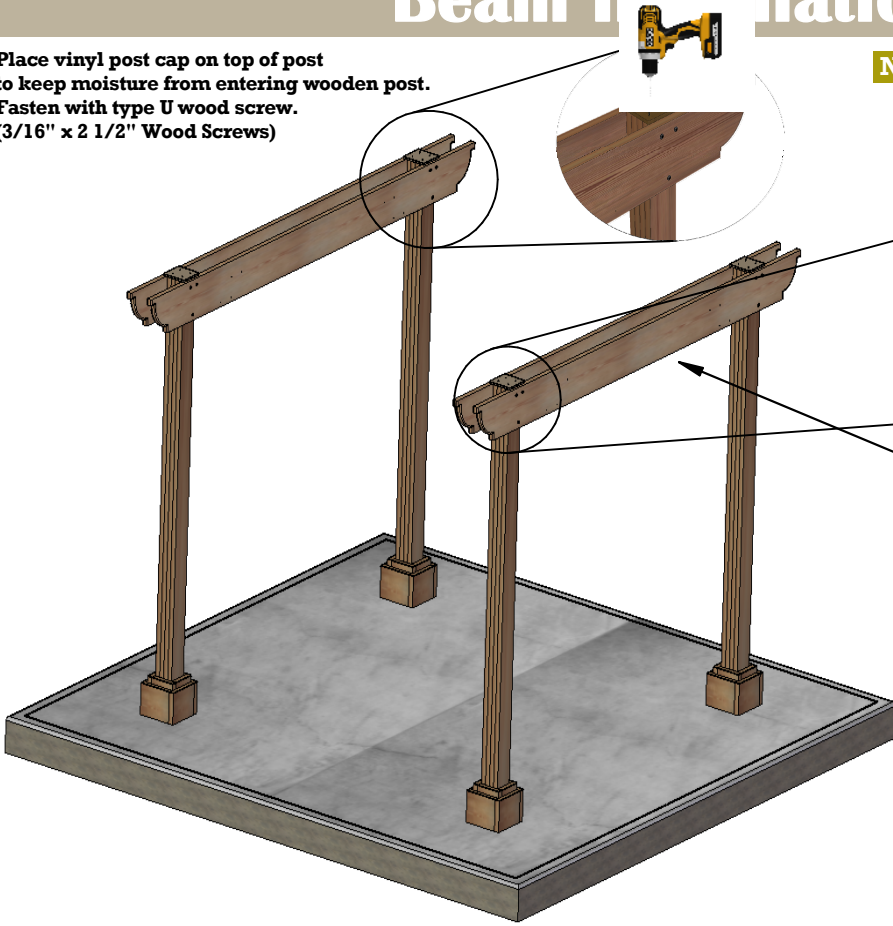
If you have the grandfather style post, be sure to slide the post trim up from the bottom before anchoring the post to your base surface. For it will not fit down over the top of post, (the pre installed trim is too large for post trim ring to go down from top.)

Slide trim ring up from bottom before setting post.



Beam Installation

Place vinyl post cap on top of post to keep moisture from entering wooden post. Fasten with type U wood screw. (3/16" x 2 1/2" Wood Screws)



NOTE: Keep beam flush with top of post.

Set 2"X10" beam on both sides of post (and flush with top of the post). Fasten with type (V) wood lags 5/16" X 3 1/2" Wood Lag)

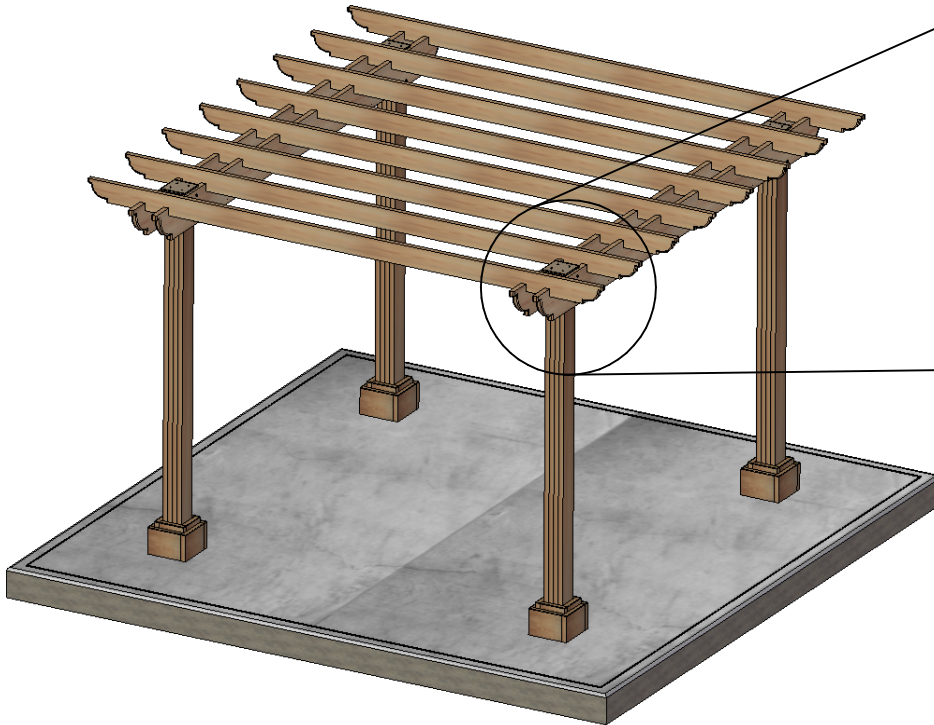
NOTE:

If your pergola has the 8" X 8" Posts be sure to have the rotation of the post correct. The notches on the sides should be on the side where beams will be installed.

Step 6

Purlin Installation

Place purlins on top of the beam at the pre-marked locations. The outside purlins are 6" from the end of the beams. The rest of the purlins are equally spaced between the two outside purlins. (At Premarked Locations)



Use type (W) wood lag. (5/16" X 6" Wood Lag)

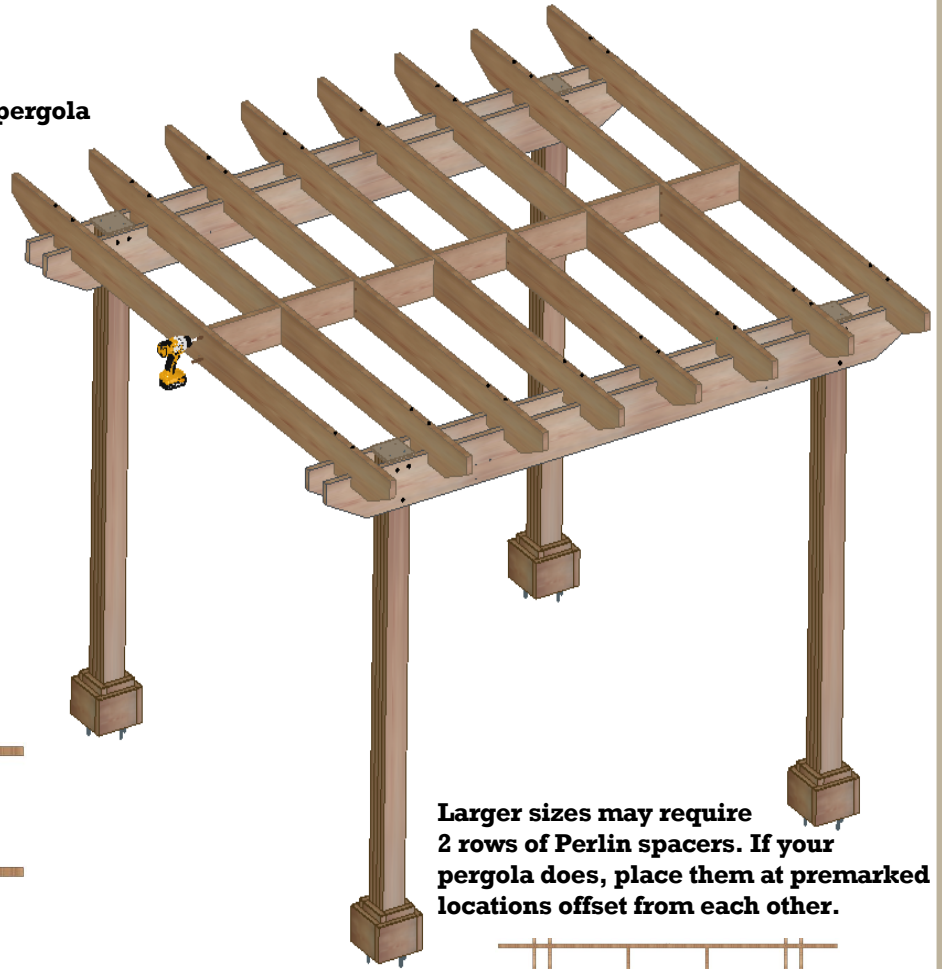
Step 7

Purlin Spacer Installation

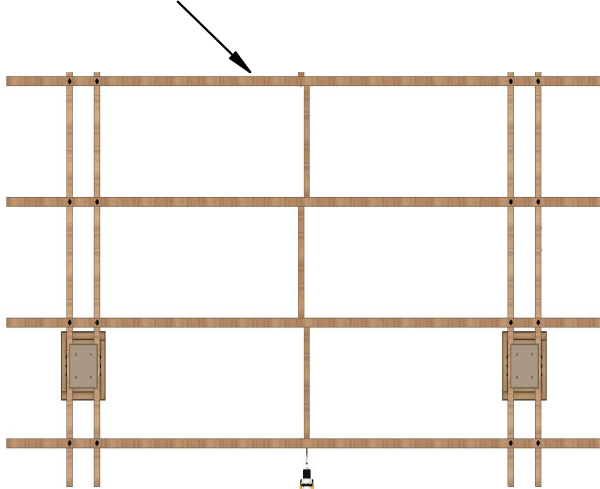
Fasten the purlin spacers between each purlin using 3" Wood Screws on each side
Purlin spacers are offset down the center of the pergola (see diagram below).

Wood Screw For Purlin Spacers

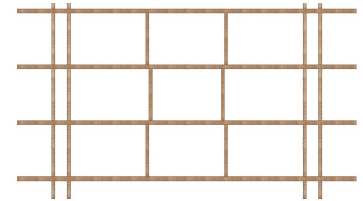
3" Wood Screw



Purlin Spacers are to be installed offset from center so each spacer can be fastened properly from each side. Locations are premarked.



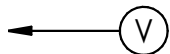
Larger sizes may require 2 rows of Purlin spacers. If your pergola does, place them at premarked locations offset from each other.



Purlin Brace Installation

Step 8

Purlin braces are installed on second purlin from each end with one cut end of brace against beam and the other cut end against purlin. Fasten braces with 2 type (V) 3 1/2" Wood Lags.



Wood Lags For Beams

3 1/2" Saber Drive Lag



Beam Brace Installation

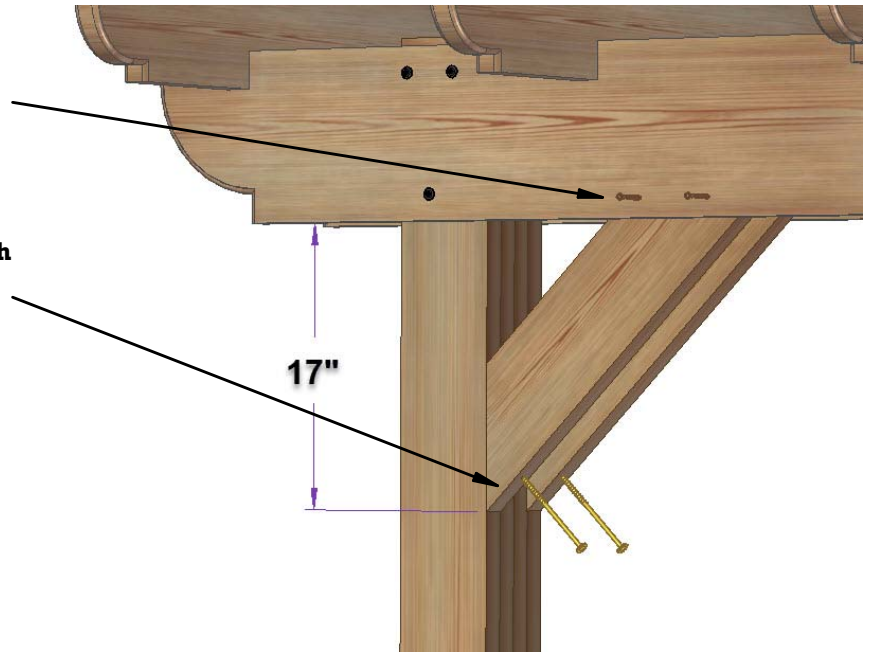
Beam braces are optional and recommended on structures with beams 16' and longer

NOTE:

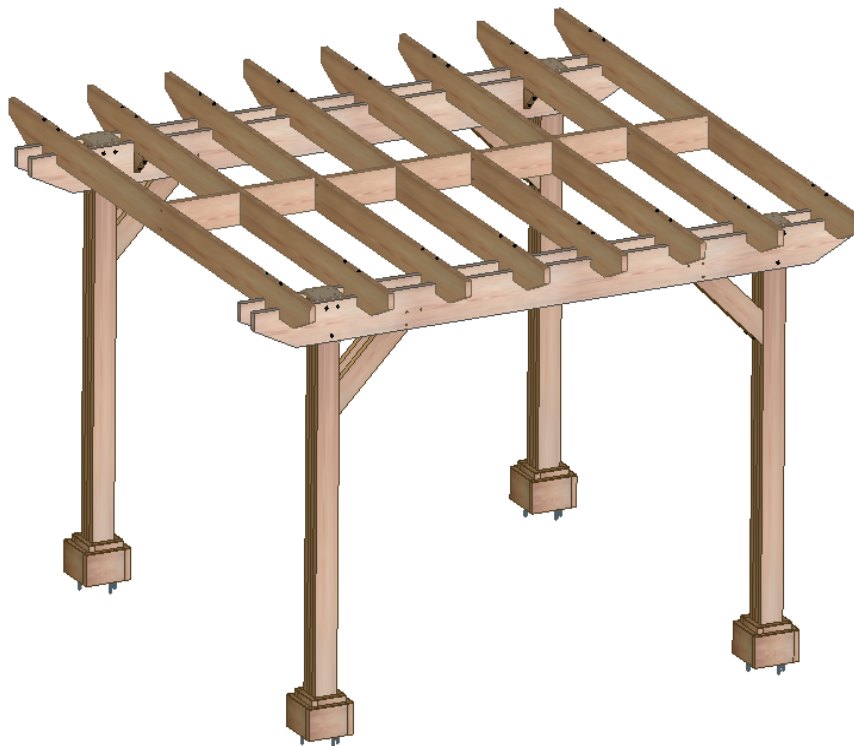
Ensure that post and beam are square before fastening braces

Fasten each ply of the braces to the beams with two type (U) wood screws (3/16" X 2 1/2") fasten through the beam into the brace.

Fasten the bottom of the brace to the post with one type (X) 5/16" x 6" wood lag per brace.



Congratulations on your new pergola Your pergola should now be complete



Congratulations!
**Enjoy your Newport Pergola with
freinds and family.**

